

ELITE

RADIO TRANSMITTERS



ELITE




RADIO TRANSMITTERS

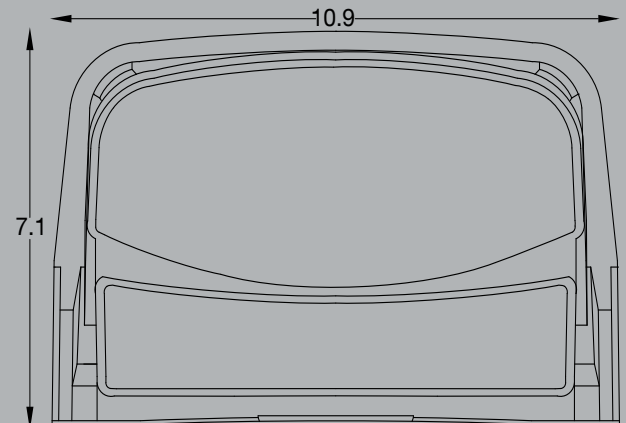


Features

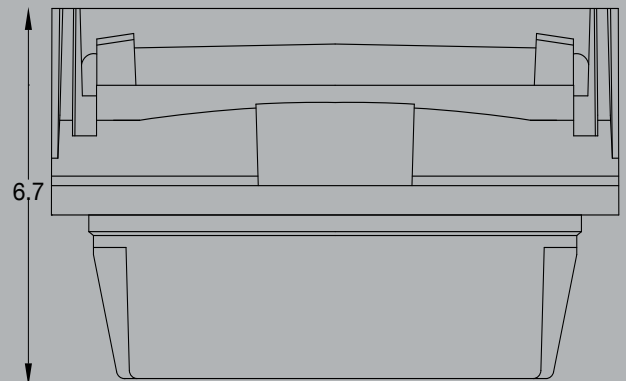
The ELITE series radio transmitter is the largest transmitter in Kar-Tech's standard product line. It's wide open with room to fill with joysticks, paddles, switches and dials, and the ELITE is made from high-impact plastic that is designed to take a beating. Shoulder straps keep the unit close to the operator and reduce fatigue over long hours on the job, and the battery provides 20+ hours of continuous operation, with the ability to charge the battery fully in only one hour. Frequency hopping technology eliminates the possibility of interference, and an operating range of up to 1000' or more keep your operators safely away from dangerous worksites. Kar-Tech can develop custom decals for the OEM for a complete turnkey wireless solution.



General		Mini Receiver	
Weight	2.5 lb.		I/O Up to 9 solid state outputs, 5A max
Operating Temperature	-40° to +85° C		Frequency 900 MHz FHSS, 10mW output power
Storage Temperature	-40° to +100° C		Range 100m nominal, greater line of sight
Ingress Protection	IP65 nominal - varies with custom configurations		Power 12/24 VDC nominal, +9 to +35 VDC min/max
Housing Material	UL94 - HB High impact plastic		Physical 2.5"x2.5"x.9", 1.8 lb., encapsulated UL94 ABS plastic
Control Options	E-Stop, paddles, dual axis joysticks, toggle switches, pushbuttons, potentiometers, thumbwheels.	VC-93/99/125 Receiver	
Certification	FCC, IC, C-Tick, others on request		I/O Up to 36 inputs (analog/digital) and 36 outputs (analog/digital), 5A max, with 100VDC protection
Power			Frequency 900 MHz FHSS, 33mW output power 2.4 GHz DSSS, 100mW output power
Battery Type	Internal rechargeable smart NiMH battery		Range 300m nominal, greater line of sight
Operating Time	Depends on configuration, 20-60 hours		Power 12/24 VDC nominal, +9 to +35 min/max
RF2CAN		Industrial Receiver	
	Frequency 900 MHz FHSS or 2.4GHz DSSS		I/O Up to 9 relay outputs, rated at 16A per
	Output CAN - SAE-J1939 & CANOpen		Frequency 900 MHz FHSS, 10mW output power
	Range 300m nominal		Range 100m nominal, greater line of sight
	Power 9 - 30VDC		Power 110 - 265 VAC
	Physical 3.5" x 2" x 4.1", 0.8 lb. encapsulated UL94 ABS plastic		Physical 8.6"x4.7"x3.5", 1.6 lb., polycarbonate enclosure



TOP



FRONT